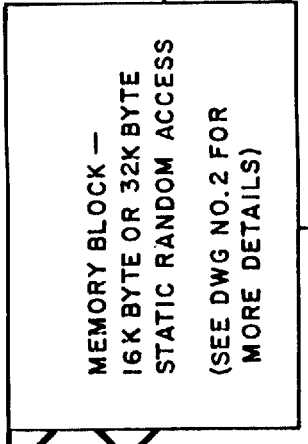
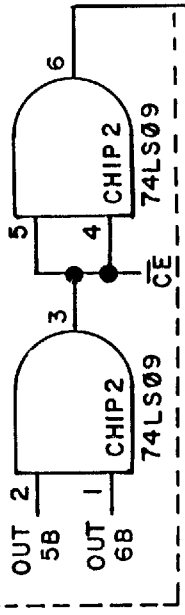


BOTTOM PC BOARD — MEMORY AND DECODER

ARCADE CONNECTIONS

- 1 GND
- 2 VIDEO OUT
- 3 VIDEO IN
- 4 GND
- 5 7 MHz
- 8 AUDIO
- 7 PIX CLK
- 6 ϕ
- 9 MI
- 10 VERT DR
- 11 RESET
- 12 HOR DRIVE
- 13 I/OREQ
- 14 RD
- 29 REFRESH
- 38 A0
- 36 A1
- 19 A2
- 22 A3
- 20 A4
- 17 A5
- 18 A6
- 15 A7
- 30 A8
- 27 A9
- 25 A10
- 23 A11
- 21 A12
- 26 A13

FOR 32K ONLY



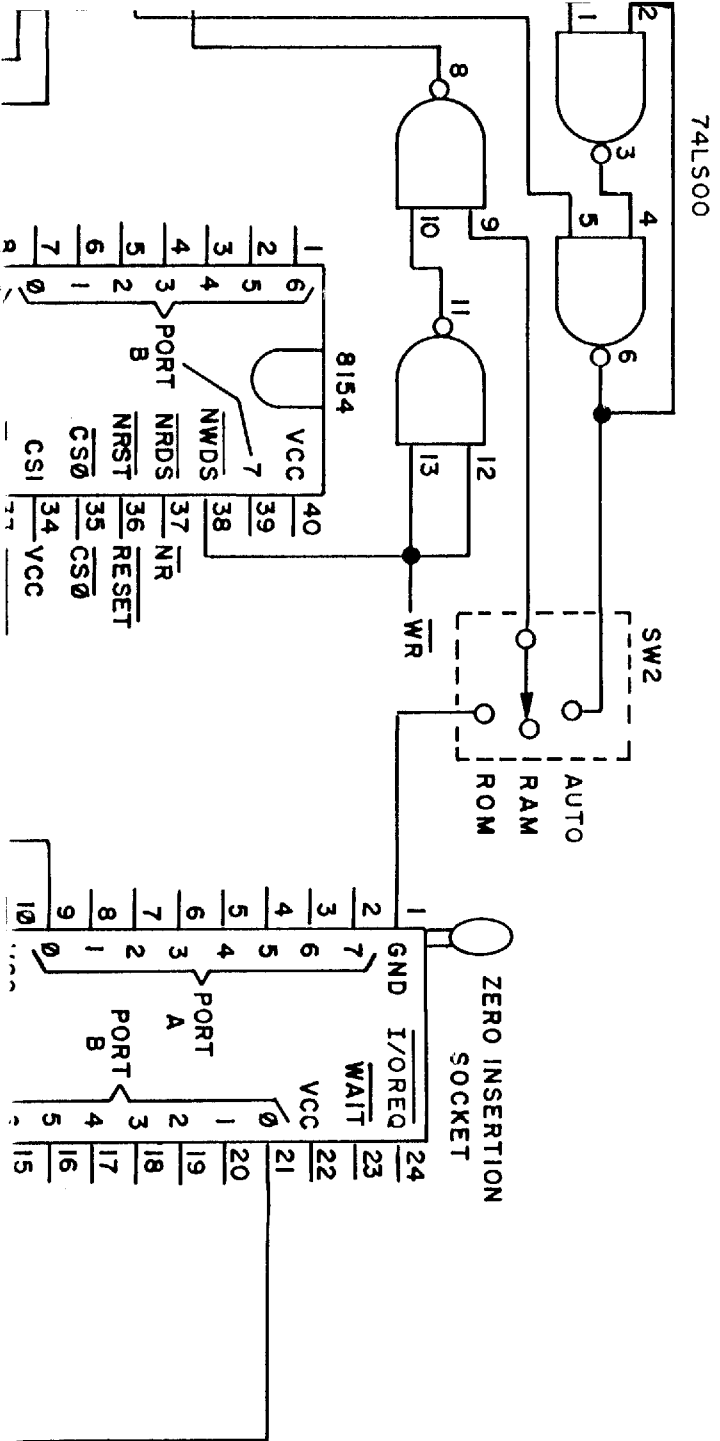
ADDRESS BUS, A0 THRU A14
ATA BUS, D0 THRU D7

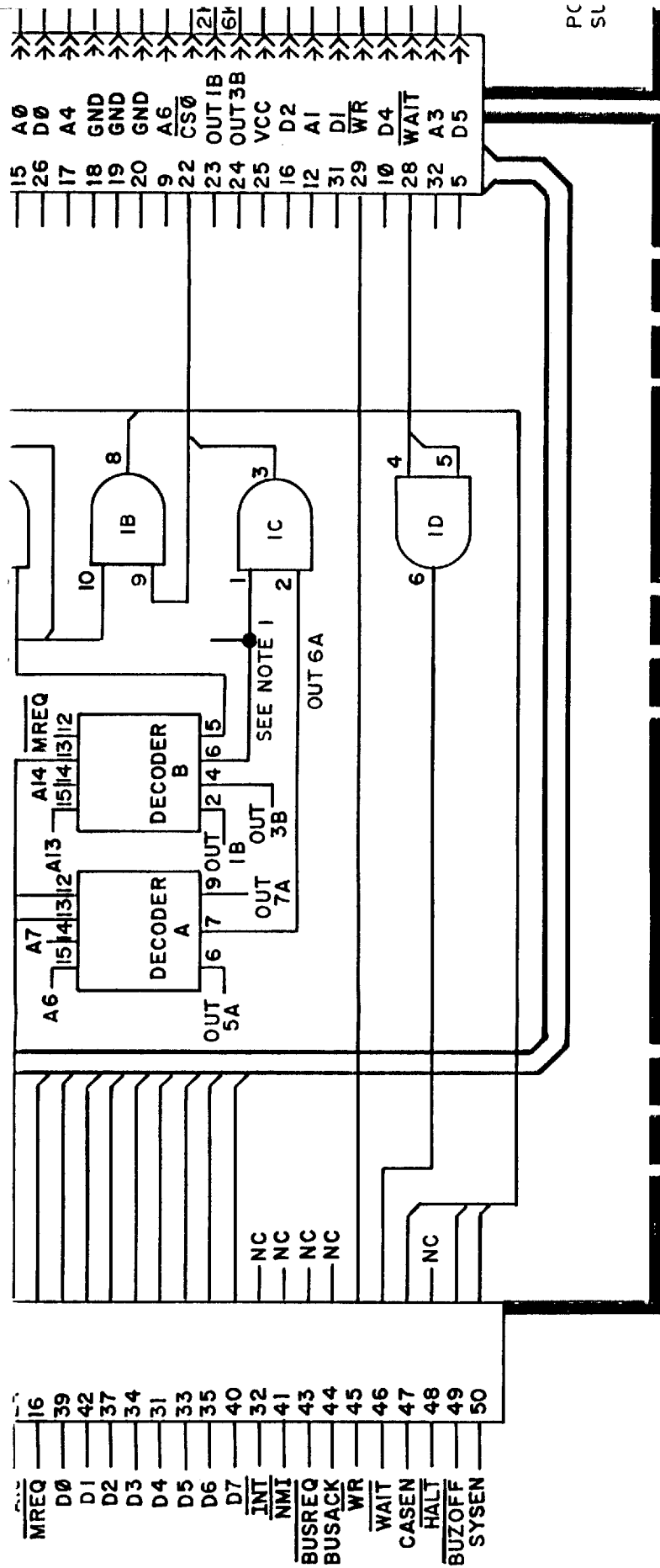
- 1 AUDIO
- 2 D3
- 3 ϕ
- 4 RESET
- 33 WE
- 6 OUT 5A
- 7 OUT 7A
- 8 I/OREQ
- 21 RD
- 11 D6
- 30 MEMEN
- 27 D7



13 74LS09

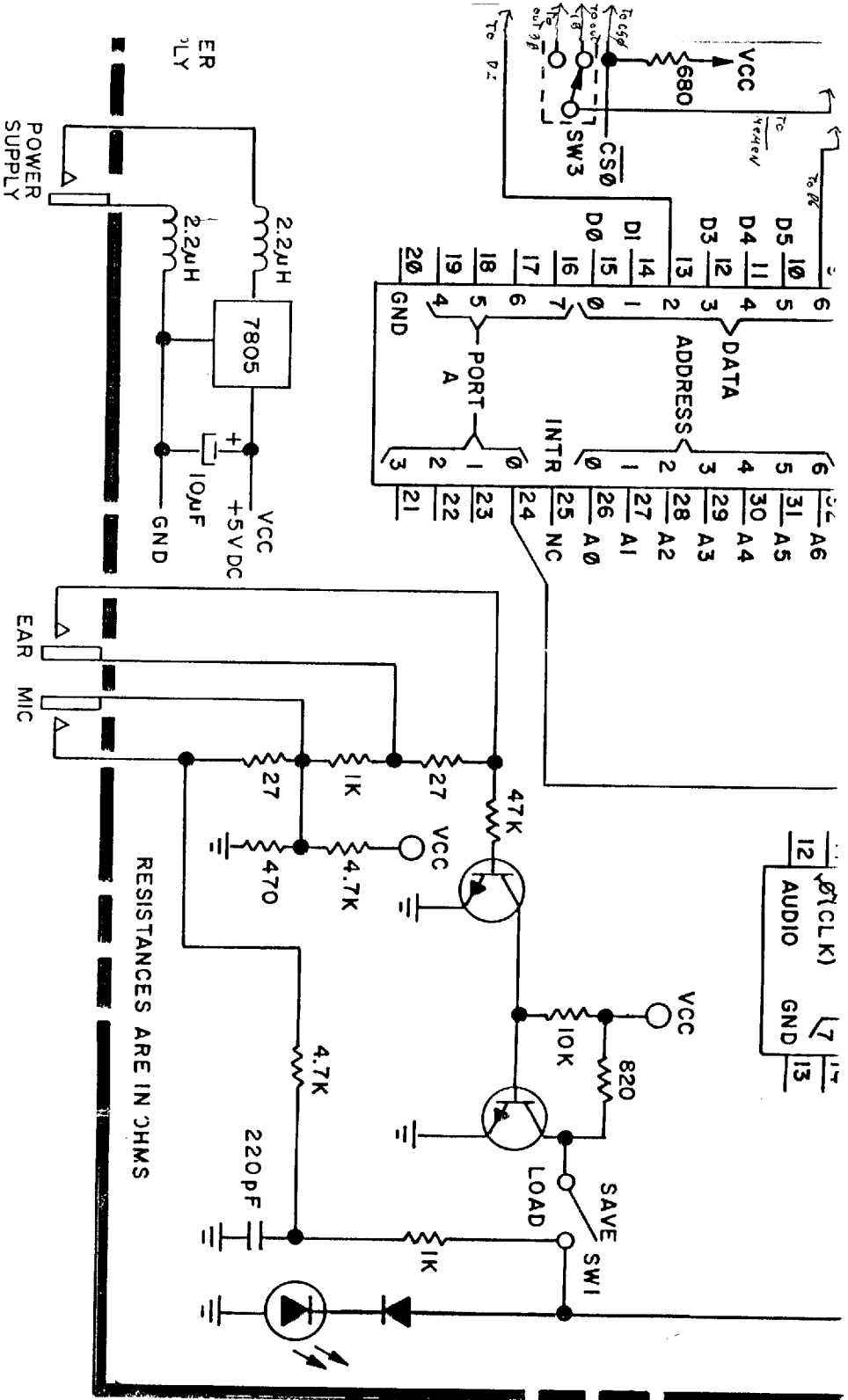
DP PC BOARD — INPUT/OUTPUT

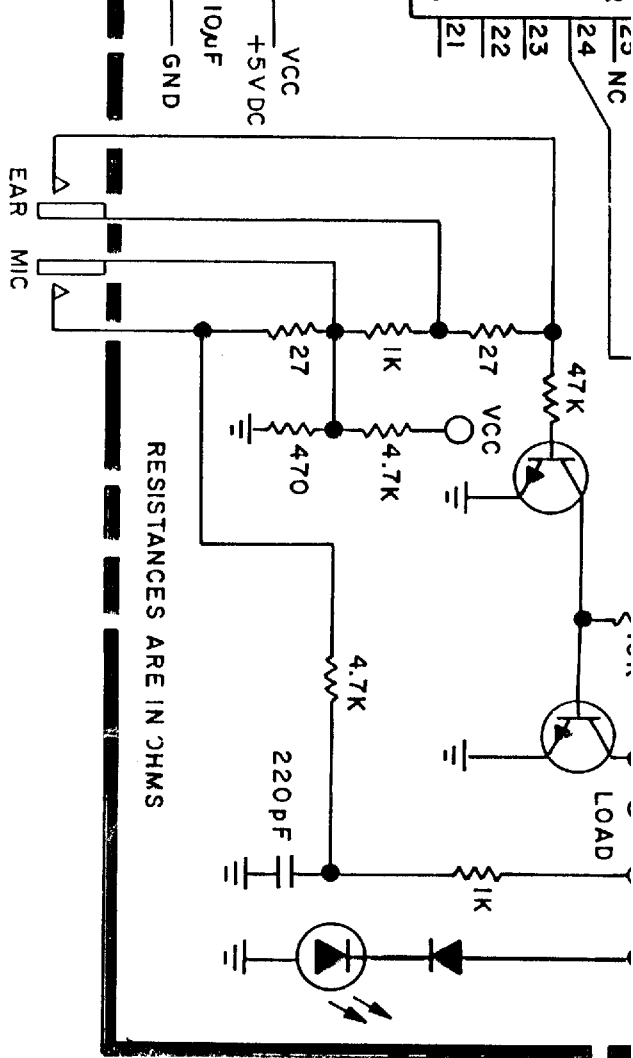




NOTES:

1. PIN 1, 74LS09-1C IS CONNECTED TO 74LS42 DECODER 'B'; PIN 6 (OUT 5B) FOR 16K AND PIN 9 (OUT 7B) FOR 32K.
2. DECODER CHIPS ARE EITHER 74LS42 OR 74LS145(O/C).



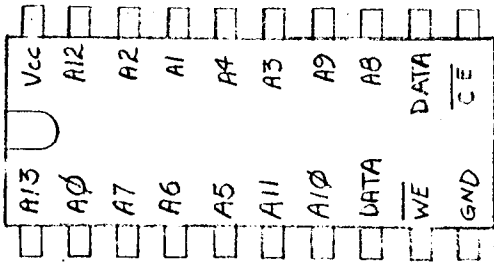


BLUE RAM
DIVISION OF GAMBITS

ROUTING SHEET AVAILABLE <input type="checkbox"/>		TITLE	
USED ON		ARCADe ADD-ON MEMORY UNIT	
REMOVE ALL BURRS		16-32K BYTE WITH DUAL I/O PORTS	
NEXT ASS'Y		TOLERANCE: FRACT. ± 1/64 - DEC. ± .005 - ANGULAR ± 1°	
MATERIAL:		SCALE	
FINISH:		DRAWN BY	
		DESIGNED BY	
		PERKINS ENGINEERING	
		DRG. NO.	
		GBR NO. 1	

- ▲ DENOTES CRITICAL DIMENSION
- DENOTES MAJOR DIMENSION
- DENOTES MINOR DIMENSION

1 OF 8 FOR 16K
1 OF 16 FOR 32K



STYLE A ORIGINAL

HM6167L-8

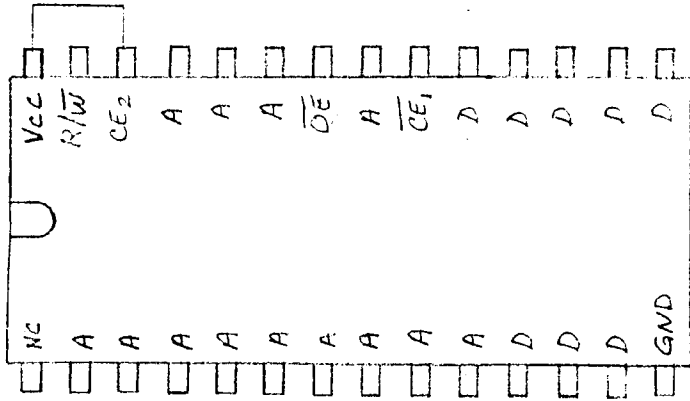
OR EQUIVALENT

DATA PINS 8-12 TIED

(16K/16BIT) CMOS

STACKED FOR 32K
CE PIN 11 TIED ON UPPER GROUP

1 OF 2 FOR 16K
1 OF 4 FOR 32K



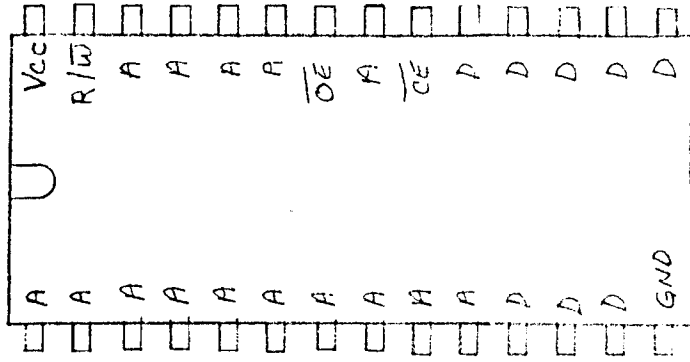
STYLE B

HM6264P-15 OR EQUIVALENT

A=ADDRESS LINE

D=DATA LINE

1 NEEDED FOR 32K



STYLE C

TM55257L-12 OR EQUIVALENT

OE MAY BE TIED TO EITHER CE OR GND

DUE TO HAND WIRING, ADDRESS LINES MAY VARY IN CONNECTION, AS WELL AS DATA LINES

PULL UP RESISTORS ARE REQUIRED FOR CE GROUPS > 330 OHMS

330 pf CAPACITORS MAY BE NEEDED ON DATA LINES

CE GROUPS MAY VARY PER COMPLETE RAM SETS BUT CANNOT BE MIXED WITHIN ANY SET 250 NS IS THE SLOWEST RECOMMENDED.

BLUE RAM EXTENDED MEMORY UNIT

SCALE: --- APPROVED BY:

DATE: 6-10-86

DRAWN BY K.L.

REVISED

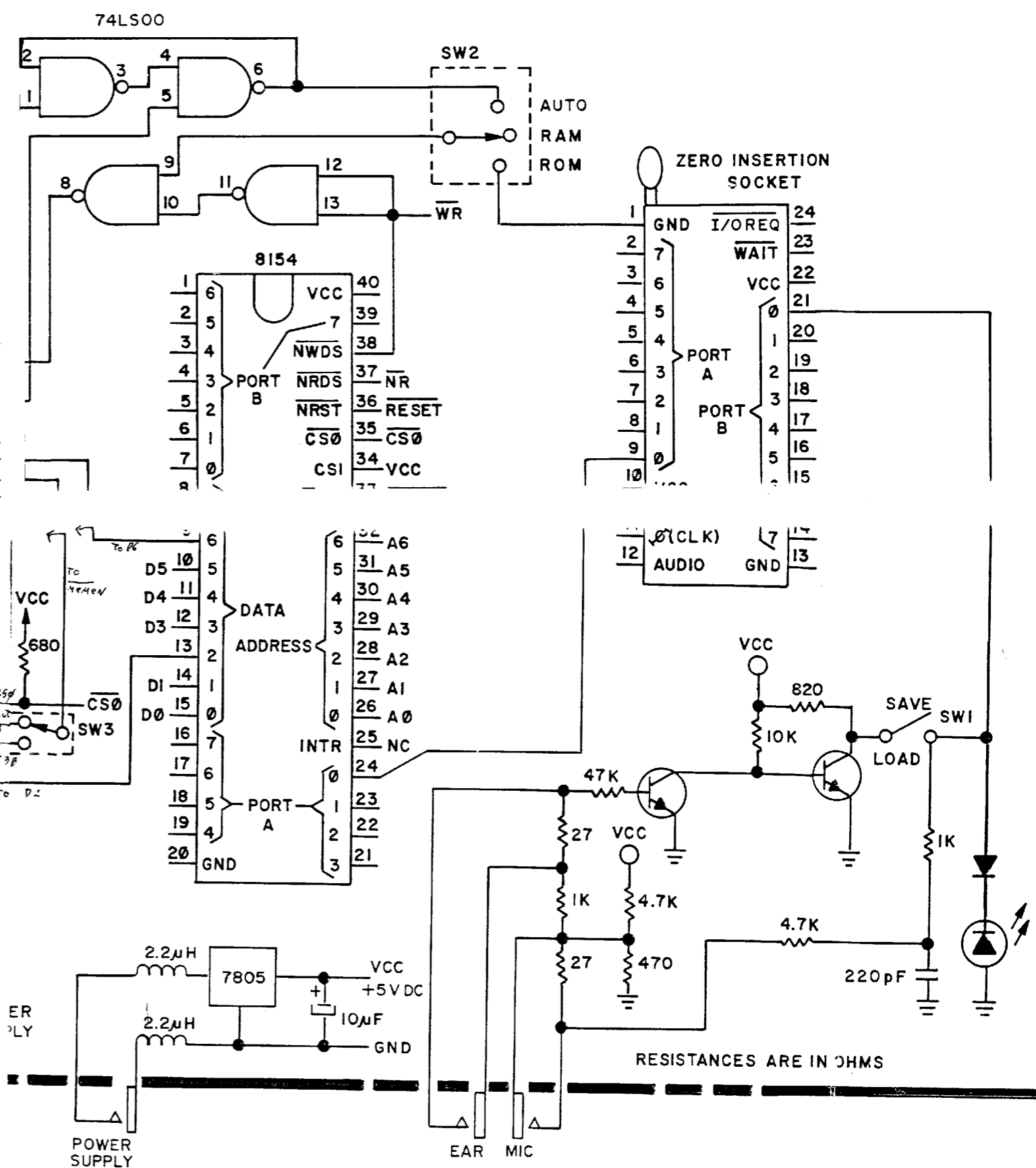
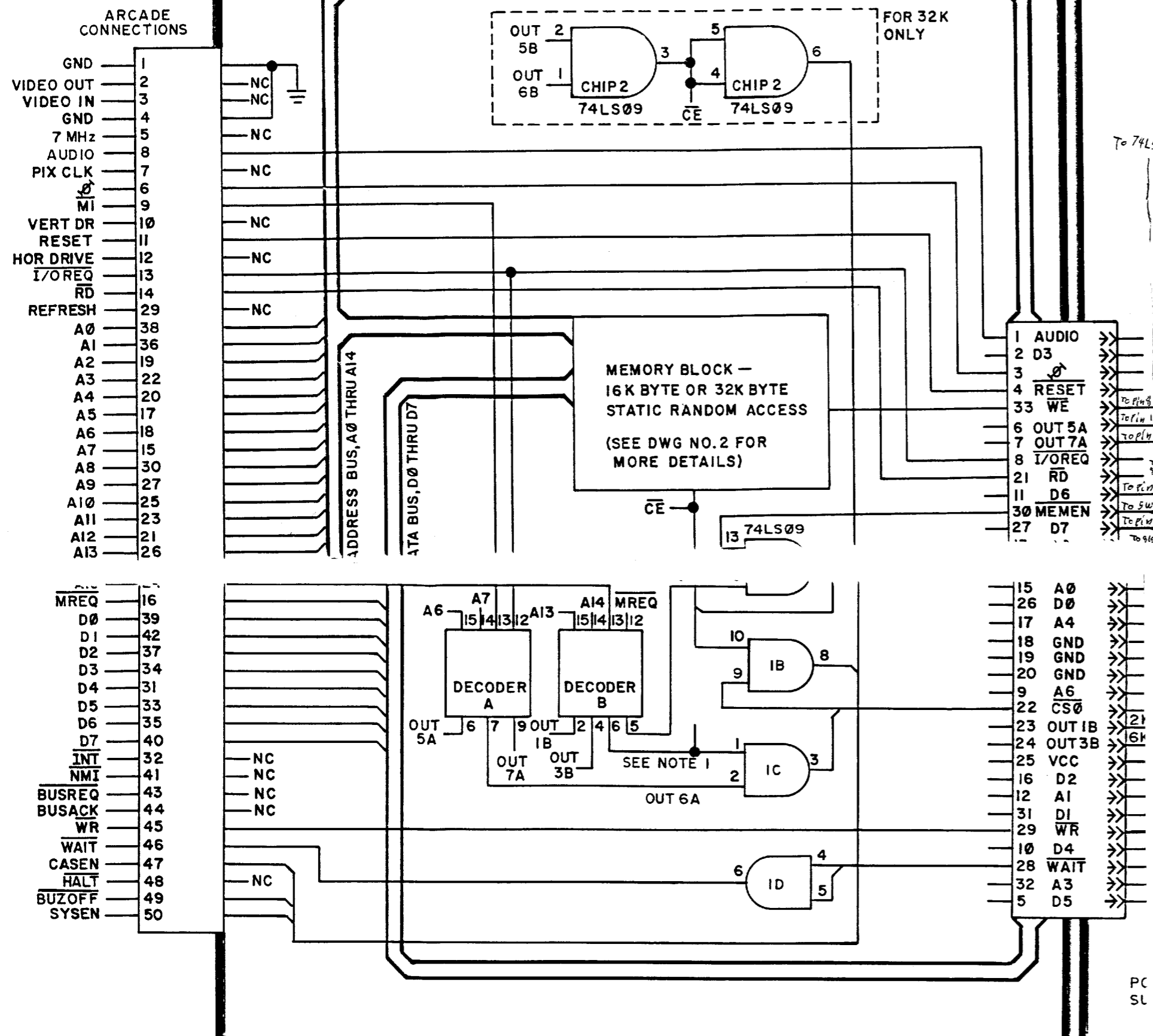
MEMORY BLOCK CONFIGURATIONS

ANY ONE STYLE MAY BE USED PER UNIT

DRAWING NUMBER GBR No. 2

BOTTOM PC BOARD — MEMORY AND DECODER

JP PC BOARD — INPUT/OUTPUT



- NOTES:**
- PIN 1, 74LS09-IC IS CONNECTED TO 74LS42 DECODER 'B'; PIN 6 (OUT 5B) FOR 16K AND PIN 9 (OUT 7B) FOR 32K.
 - DECODER CHIPS ARE EITHER 74LS42 OR 74LS145 (O/C).

BLUE RAM DIVISION OF GAMBITS		TITLE ARCADe ADD-ON MEMORY UNIT 16-32K BYTE WITH DUAL I/O PORTS	
ROUTING SHEET AVAILABLE <input type="checkbox"/>		TOLERANCE: FRACT. ± 1/64 - DEC. ± .005 - ANGULAR ± 1°	
REMOVE ALL BURRS		SCALE	DESIGNED BY PERKINS ENGINEERING
▲ DENOTES CRITICAL DIMENSION	■ DENOTES MAJOR DIMENSION	DRAWN BY	
● DENOTES MINOR DIMENSION	MATERIAL:	DATE	DRG. NO. GBR NO. 1
	FINISH:		